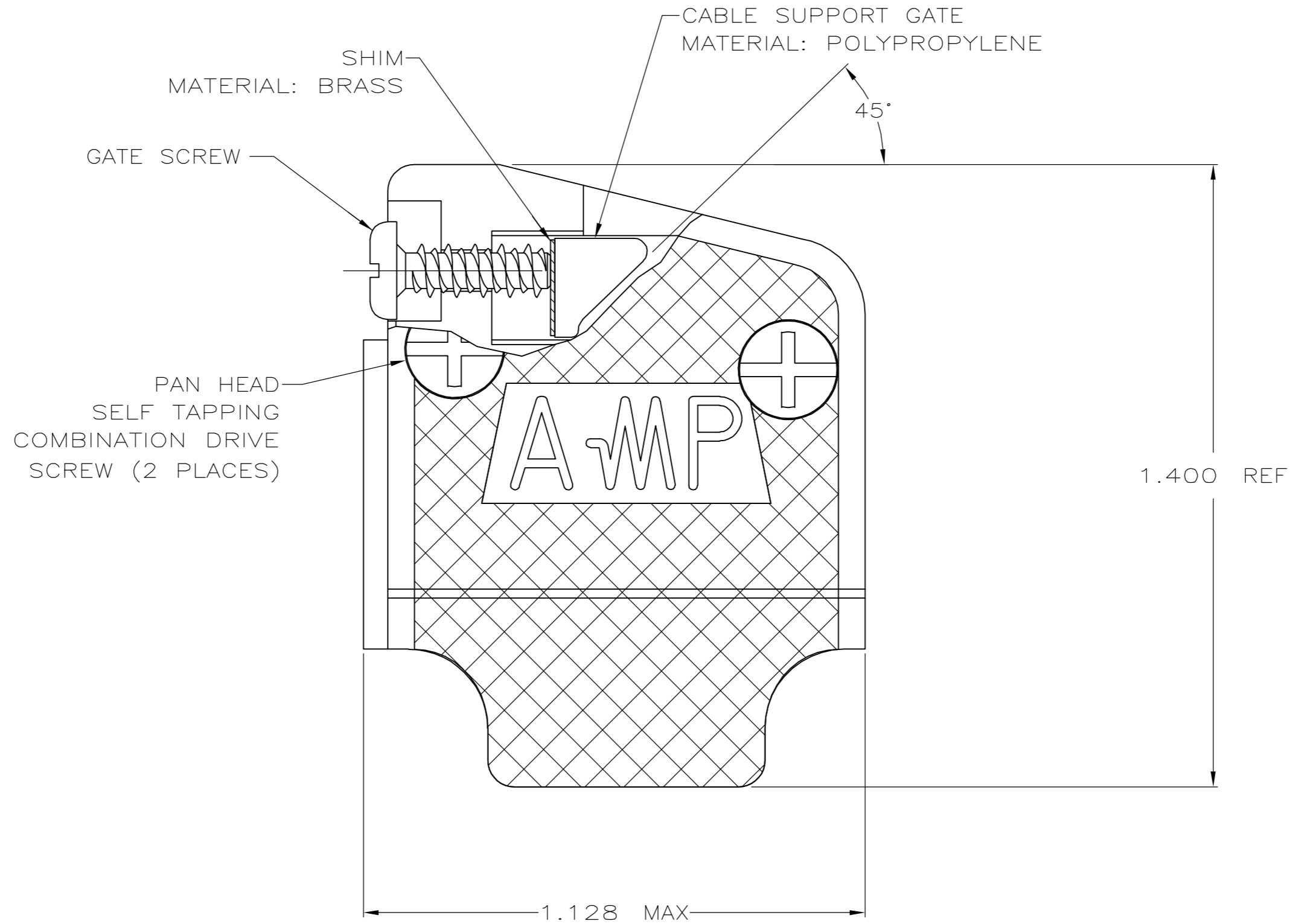
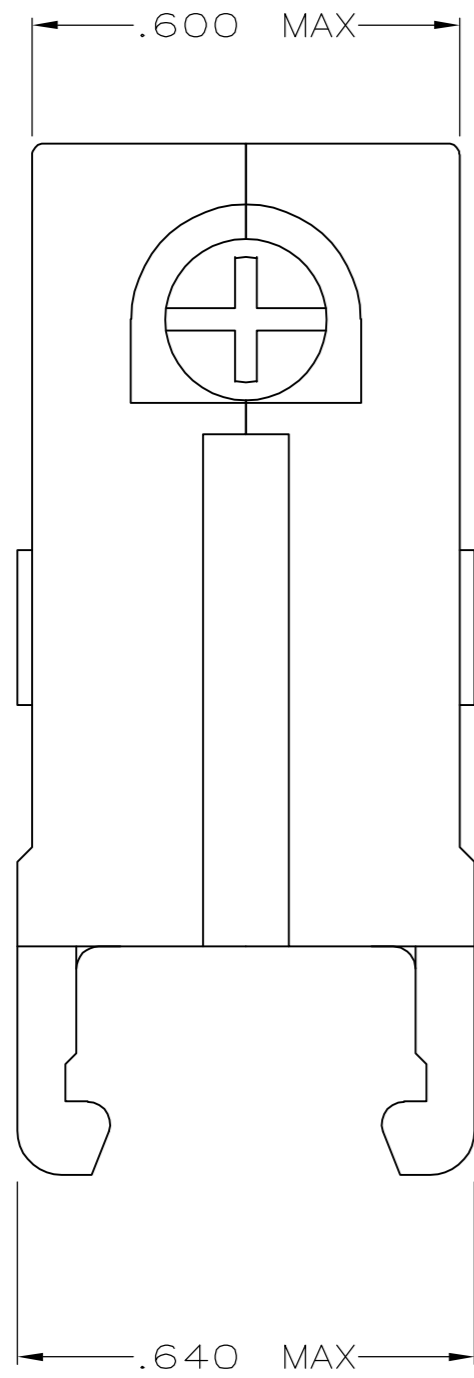
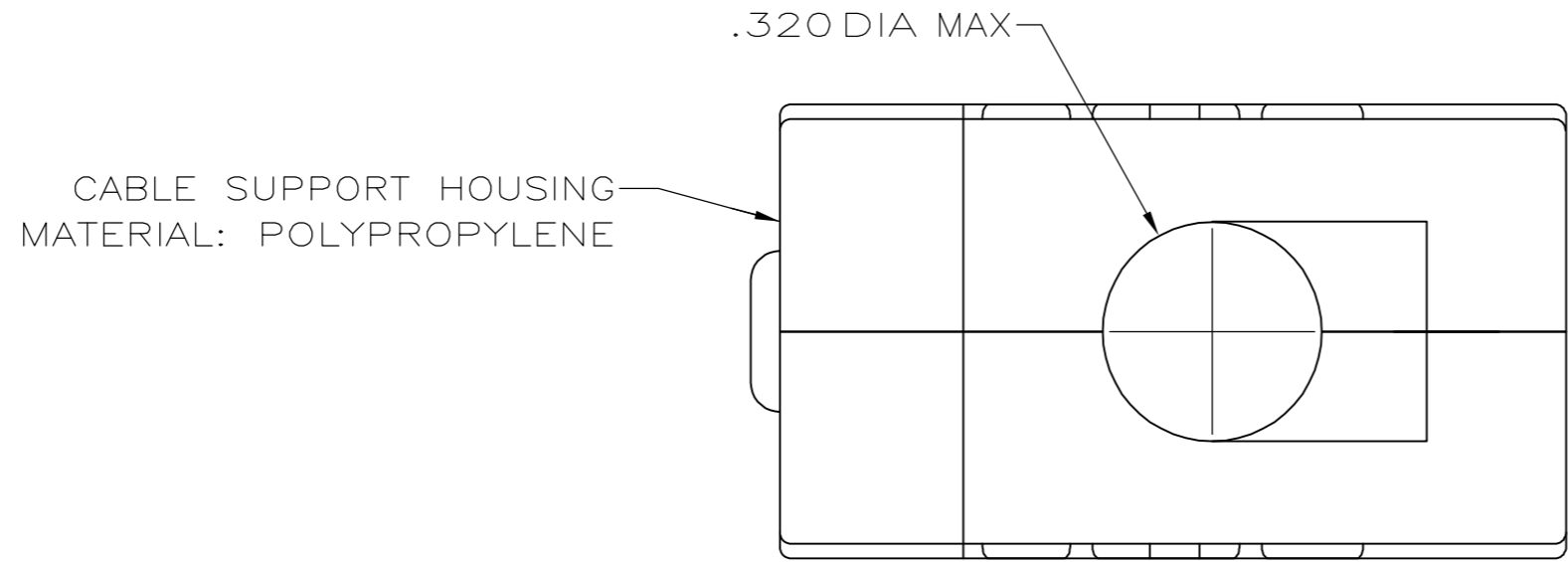


THIS DRAWING IS UNPUBLISHED. RELEASED FOR PUBLICATION
 © COPYRIGHT 2006 BY TYCO ELECTRONICS CORPORATION. ALL RIGHTS RESERVED.

LOC	DIST	REVISIONS			
P	LTR	DESCRIPTION	DATE	DWN	APVD
GP	00	0	RELEASED PER EC OS13-0221-05	31AUG05	RR JG



1. PARTS ARE PACKAGED UNASSEMBLED.

2 GATE: BLACK ZINC PHOSPHATE.
 SELF TAPPING: ZINC PLATED, CLEAR CHROMATE COATING.

5206393

5206393-1

PART NUMBER

THIS DRAWING IS A CONTROLLED DOCUMENT.		DWN R.RICHARDSON 31AUG05	Tyco Electronics Corporation Harrisburg, PA 17105-3608	
DIMENSIONS: INCHES		CHK C.ROHDE 31AUG05	NAME	
TOLERANCES UNLESS OTHERWISE SPECIFIED:		APVD M.WALMSLEY 31AUG05	PRODUCT SPEC	
0 PLC ± -		APPLICATION SPEC		
1 PLC ± -		WEIGHT		
2 PLC ± -		SCALE		
3 PLC ± .005		SHEET		
4 PLC ± -		REV		
ANGLES ± -		CUSTOMER DRAWING		
FINISH		RESTRICTED TO		
MATERIAL SEE CALLOUTS		SCREWS 2		
MATERIAL		SIZE CAGE CODE DRAWING NO		
MATERIAL		A2 00779 C=5206393		
MATERIAL		SCALE 4:1 SHEET 1 of 1 REV 0		